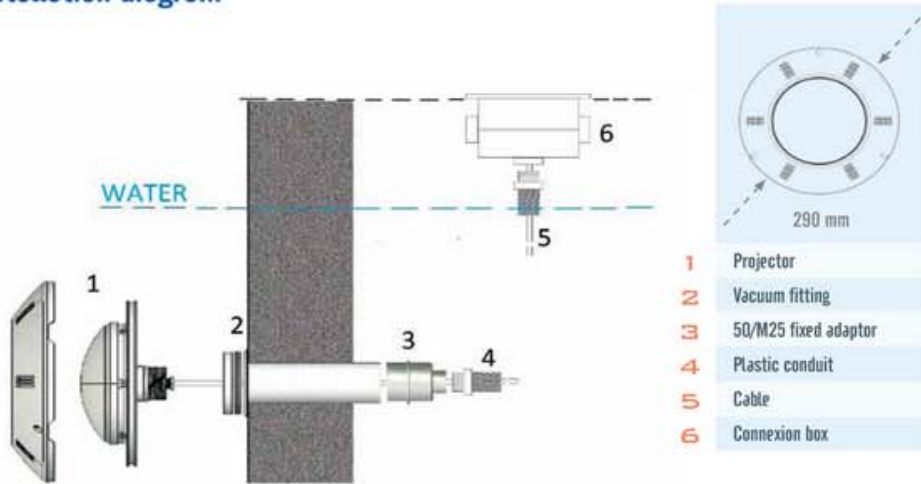


Installation diagram



Winding of cable in the connection box



Removal of projector with winter cap



Designed to be installed without requiring any specialist work or equipment, the SeaMAID COLOR Lighting Kit can be installed into any above ground hard-wall pool that has at least one outlet fitting with a 1.5" female thread.

The SeaMAID Lighting Kit is:

- **Resistant:**
Made using polycarbonate injection, making it highly resistant to shock, heat and chemical attacks from water treatment products.
- **Reliable and efficient:**
Its friction-welded optic lens, which has been specially developed for underwater lighting, spreads light around the pool evenly and excellently without dazzling bathers.
- **Economical:**
Its LED light source means that major energy savings can be made by pool users.
- **Ready for use:**
The SeaMAID Lighting Kit comes in its own case with a 6-meter cable, a ~230V/12V 20W plug transformer, a remote control and a 1.5" outlet fitting adapter.
- **Easy to install:**
Simply remove the cover before unscrewing the outlet fitting nozzle. Place the projector's plate against the wall fitting and screw the nozzle back on. If the nozzle model you are using is unsuitable, use the adaptor provided. Feed the cable under the edge and connect it to the mains.

Other benefits:

- Low energy consumption
- Saves work during installation
- Long lifespan
- No risk of overheating
- No risk to eyes
- Safe for children
- Easy to install, and easy to use
- 24 month warranty
- TUV certified

