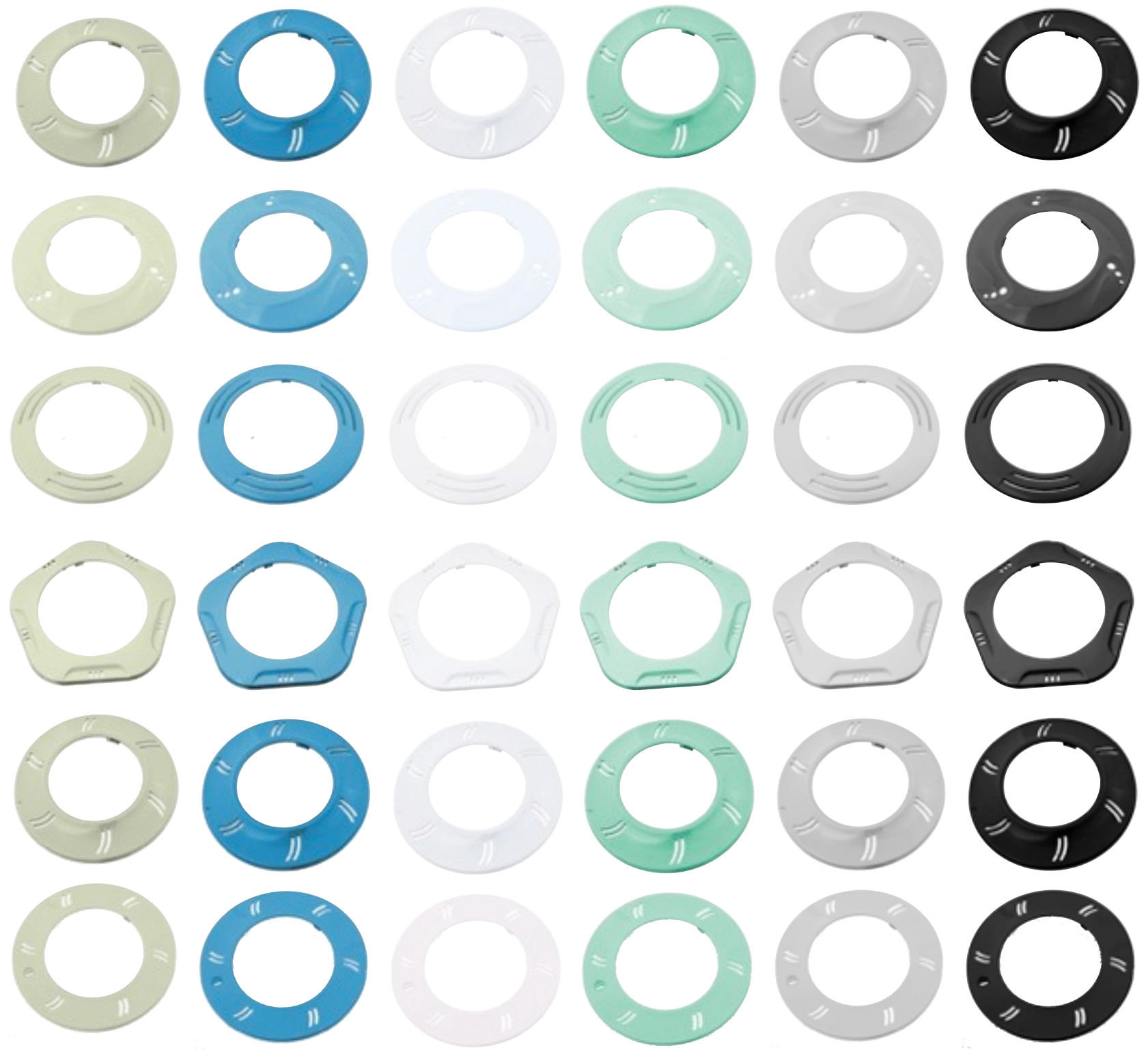


# Accessorie Adagio+:



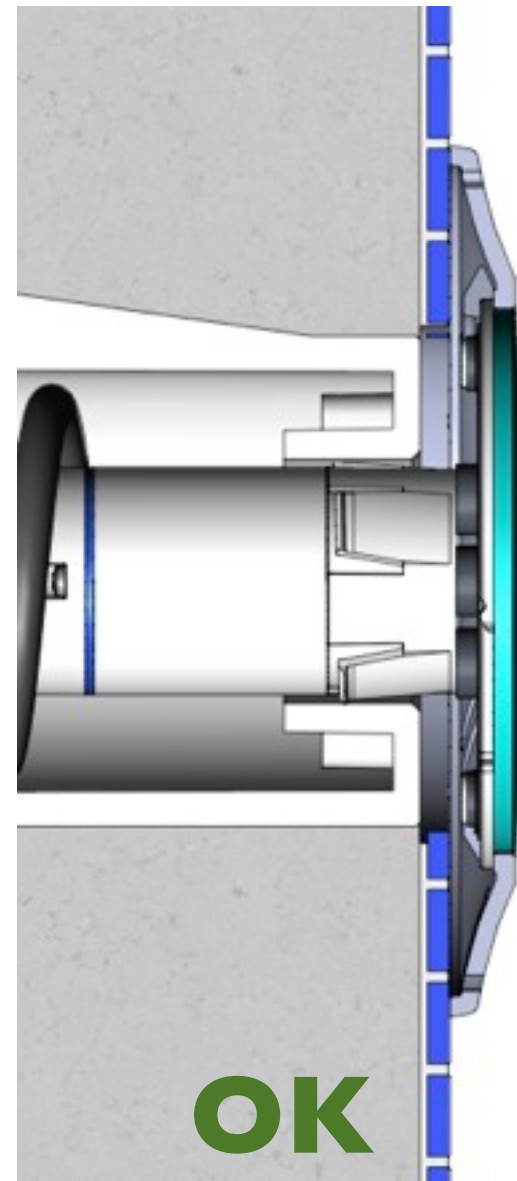
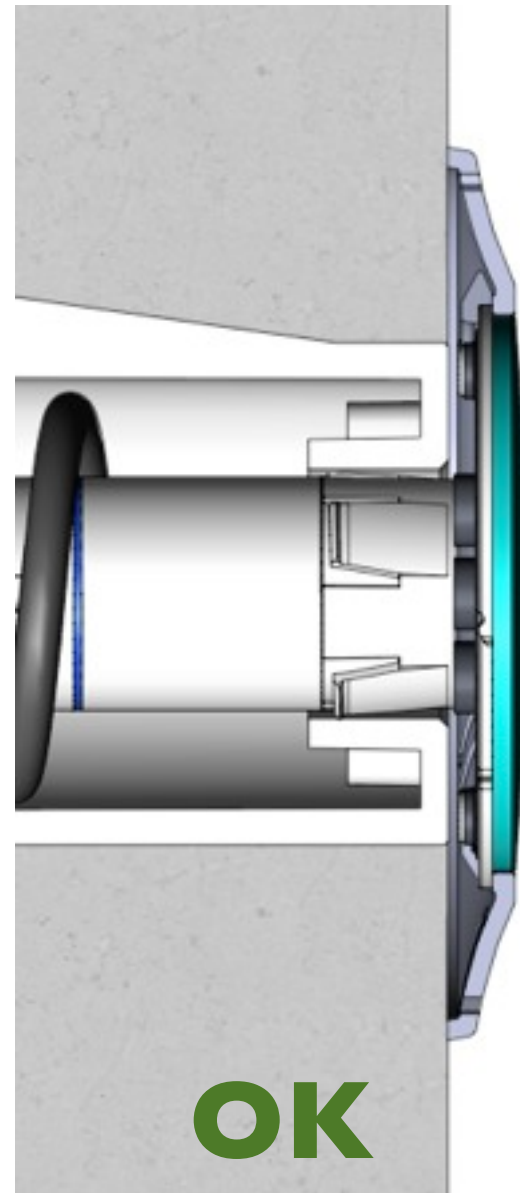
## PZAxxx-Rx-xx *Decorative front Ring*



# PZA 100/170-RN/O-xx

Orderingcode Rings (accessories Adagio+ PZAxxx-Rxx-xx)

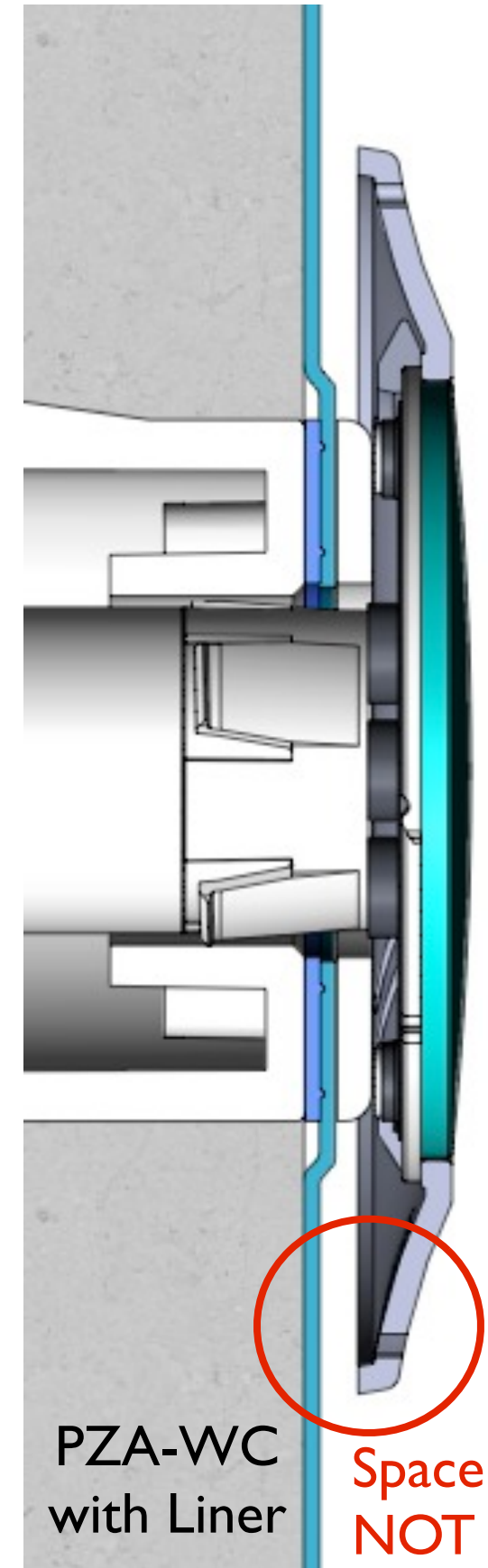
PZAxxx-**R**x...-xx



- RN (model N)
- RO (model O)

**Easthetic design**

(only valid with PZA-WC and NO-Liner)



Space  
NOT  
OK